

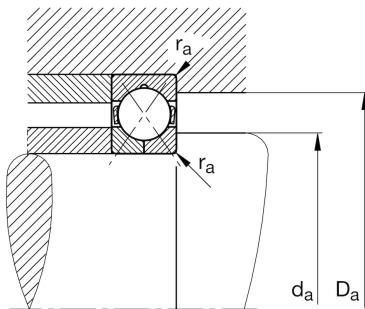
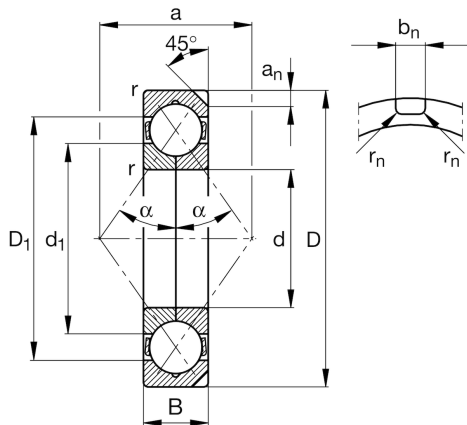
FAG

QJ1264-N2-MPA

Four-point contact bearing

Schaeffler ID:
0808402990000Four point contact bearing QJ12..-N2-
MPA, holding grooves, solid brass cage

Technical information



Main Dimensions & Performance Data

d	320 mm	Bore diameter
D	580 mm	Outside diameter
B	105 mm	Width
C _r	990.000 N	Basic dynamic load rating, radial
C _{0r}	2.110.000 N	Basic static load rating, radial
C _{ur}	55.000 N	Fatigue load limit, radial
n _G	1.900 1/min	Limiting speed
n _{gr}	930 1/min	Reference speed
	128,6 kg	Weight

Dimensions

r _{min}	5 mm	Minimum chamfer dimension
D ₁	488,1 mm	Shoulder diameter outer ring
d ₁	415,9 mm	Shoulder diameter inner ring
a	900 mm	Distance between the apexes of the pressure cones
a _n	20 mm	Height retaining slot
b _n	15,5 mm	Width retaining slot
r _n	3 mm	Radius retaining slot
	45 °	Angle retaining slot
α	45 °	Contact angle

Mounting dimensions

d _{a min}	340 mm	Minimum diameter shaft shoulder
D _{a max}	560 mm	Maximum diameter of housing shoulder
r _{a max}	4 mm	Maximum fillet radius

Temperature range

T _{min}	-30 °C	Operating temperature min.
T _{max}	200 °C	Operating temperature max.